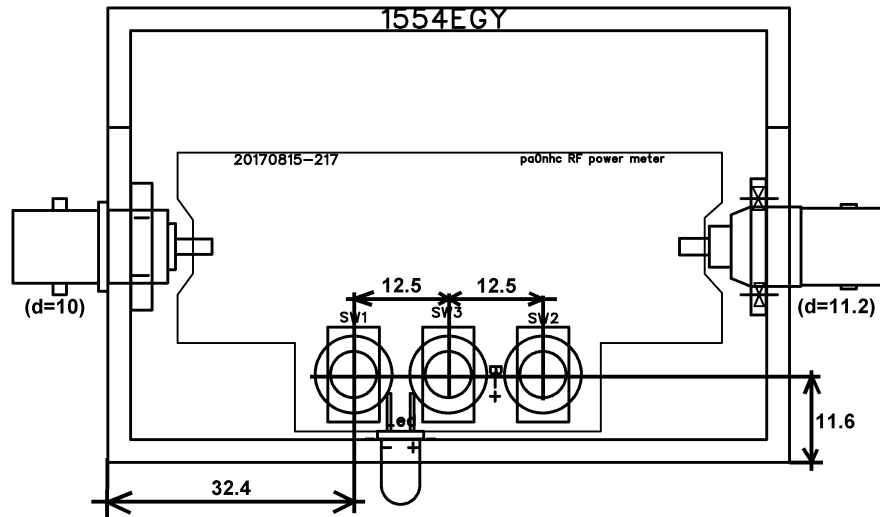


RflowPwrMeter. Pa0nhc 20171222.  
Drill sketch of TOP side  
Print this PDF with Adobe reader at size 100%.



For easier installation of the PCB,  
the LED hole could be drilled into this top side,  
and the switch holes as 6.2 mm.