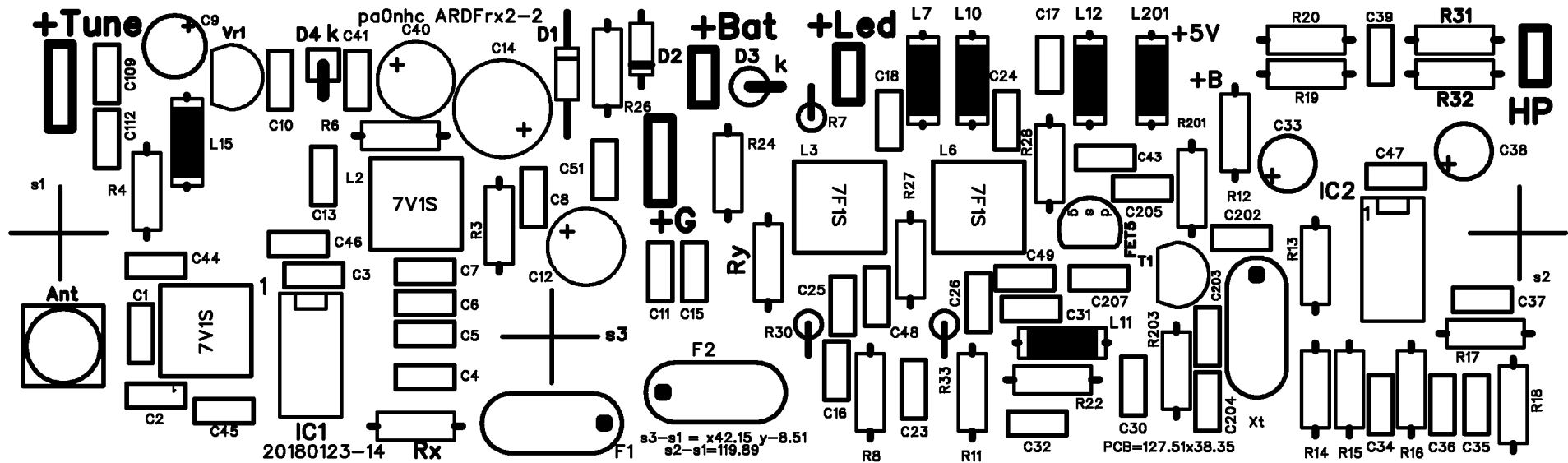


Pa0nhc 145 Mhz direction finder.



Parts positions PCB 20170123-14